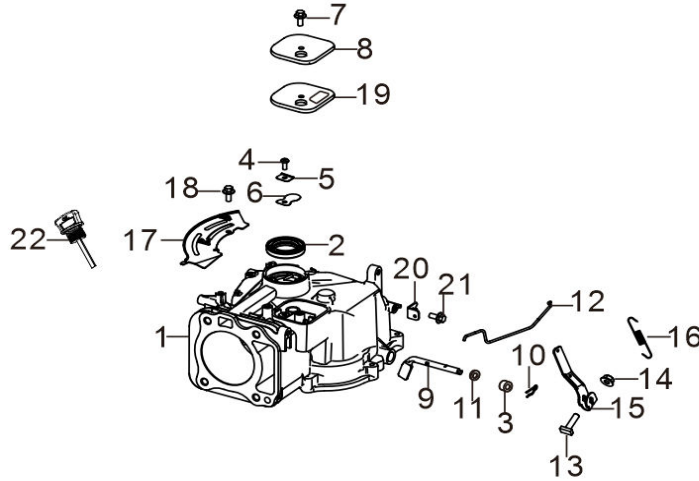


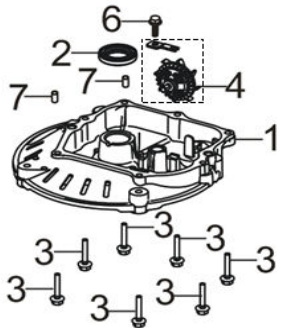
PARTS VIEW FA41PP

FIG.1 CRANKCASE. / GEAR ASSY, GOVERNOR. (E01)



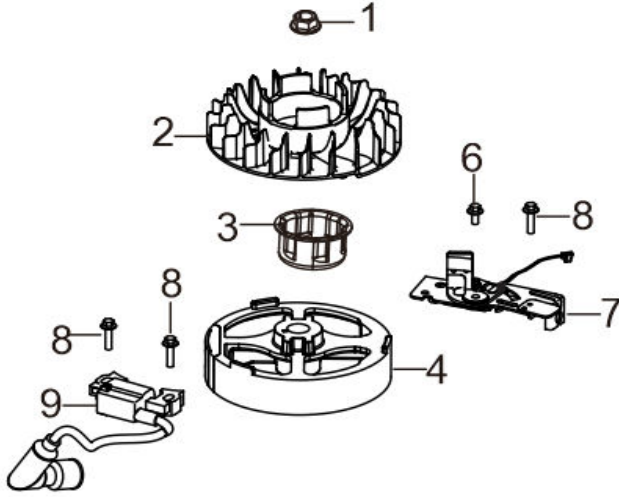
| REF.NO. 序号 | PART NO 物料代码 | DESCRIPTION 英文名 | Q'TY 数量 | 包装数 | 备注 |
|---------------|--------------------|---------------------------------|---------|-----|----|
| E01-1 | 11310-Z3E0412-00A0 | Crankcase Subassembly. | 1 | 1 | |
| E01-2 | 90682-Z240110-00A0 | Seal, Oil | 1 | 1 | |
| E01-3 | 90682-Z030210-00A0 | Seal, Oil | 1 | 1 | |
| E01-4 | 90103-0410-51A0 | Cross-Recessed Pan Head Screw | 1 | 1 | |
| E01-5 | 11337-Z2P0110-00A0 | Breath Sheet Stop Plate | 1 | 1 | |
| E01-6 | 11321-Z2P0110-00A0 | Breath Sheet | 1 | 1 | |
| E01-7 | 90007-0512-A1A0 | Bolt | 1 | 1 | |
| E01-8 | 11333-Z2P0110-00A0 | Plate, Breath Groove Cover | 1 | 1 | |
| E01-9 | 16061-Z2P0110-00A0 | Arm, Governor | 1 | 1 | |
| E01-10 | 90501-Z010110-00A0 | Cotter Pin | 1 | 1 | |
| E01-11 | 90412-Z870210-00A0 | Flat Washer | 1 | 1 | |
| E01-12 | 16062-Z2P0110-00A0 | Rod, Governor | 1 | 1 | |
| E01-13 | 16072-Z010110-00A0 | Bolt, Governor Support | 1 | 1 | |
| E01-14 | 90305-0600-31A0 | Hexagon Nut With Flange | 1 | 1 | |
| E01-15 | 16070-Z2P0110-00A0 | Governor Bracket Subassembly | 1 | 1 | |
| E01-16 | 16063-Z2P0110-00A0 | Spring, Governor | 1 | 1 | |
| E01-17 | 19308-Z2P0110-00A0 | Body Left Shield | 1 | 1 | |
| E01-18 | 90007-0512-A1A0 | Bolt | 1 | 1 | |
| E01-19 | 11332-Z2P0111-00A0 | Gasket, Breath Groove | 1 | 1 | |
| E01-20 | 16561-Z2P0110-00A0 | Throttle Operating Bottom Plate | 1 | 1 | |
| E01-21 | 90007-0512-A1A0 | Bolt | 1 | 1 | |
| E01-22 | 15010-Z2P0110-Q2A0 | Dipstick, Oil | 1 | 1 | |

FIG.2 COVER SUBASSEMBLY, CRANKCASE (E02)



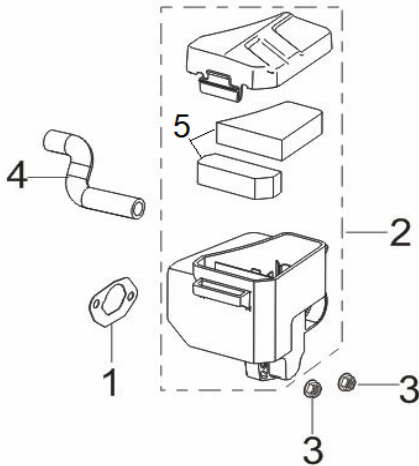
| REF.NO. 序号 | PART NO 物料代码 | DESCRIPTION 英文名 | Q'TY 数量 | 包装数 | 备注 |
|---------------|--------------------|---------------------|---------|-----|----|
| E02-1 | 11411-Z2P0112-00A0 | Cover, Crankcase | 1 | 1 | |
| E02-2 | 90682-Z030320-00A0 | Seal, Oil | 1 | 1 | |
| E02-3 | 90001-0630-01A0 | Bolt | 7 | 1 | |
| E02-4 | 16400-Z2P0210-00A0 | Gear Assy, Governor | 1 | 1 | |
| E02-6 | 90001-0614-01A0 | Bolt | 1 | 1 | |
| E02-7 | 90502-0812-00A0 | Position Pin | 2 | 1 | |

FIG.7 FLYWHEEL / IMPELLER / STARTER PULLEY / IGNITION COIL E07)



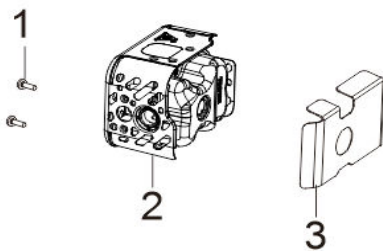
| REF.NO. 序号 | PART NO 物料代码 | DESCRIPTION 英文名 | Q'TY 数量 | 包装数 | 备注 |
|---------------|--------------------|----------------------|---------|-----|----|
| E10-1 | 13501-Z010110-00A0 | Nut, Flywheel | 1 | 1 | |
| E10-2 | 19352-Z2P0610-00A0 | Impeller | 1 | 1 | |
| E10-3 | 28002-Z2P0310-01A0 | Pulley, Starter | 1 | 1 | |
| E10-4 | 13510-Z2P0611-00A0 | Flywheel Subassembly | 1 | 1 | |
| E10-5 | 30029-Z2P0110-00A0 | Lug, Shroud | 1 | 1 | |
| E10-6 | 90007-0514-A1A0 | Bolt | 1 | 1 | |
| E10-7 | 45200-Z2P0413-00A1 | Brake Assy. | 1 | 1 | |
| E10-8 | 90007-0525-A1A0 | Bolt | 2 | 1 | |
| E10-9 | 30400-Z2P0110-00A0 | Coil, Ignition | 1 | 1 | |
| E10-10 | 90007-0520-A1A0 | Bolt | 1 | 1 | |

FIG.8 CLEANER, AIR F01)



| REF.NO. 序号 | PART NO 物料代码 | DESCRIPTION 英文名 | Q'TY 数量 | 包装数 | 备注 |
|---------------|--------------------|--------------------------------|---------|-----|----|
| F01-1 | 17001-Z2P0110-00A0 | Air Cleaner Seal Gasket | 1 | 1 | |
| F01-2 | 17100-Z2P0810-00A0 | Air Cleaner | 1 | 1 | |
| F01-5 | FA8-E-250018 | Air filters 17150-Z2P0210-00A0 | 1 | 1 | |
| F01-3 | 90305-0600-31A0 | Hexagon Nut With Flange | 2 | 1 | |
| F01-4 | 17004-Z2P0610-00A0 | Tube, Breather | 1 | 1 | |

FIG.13 MUFFLER ASSY. F02)



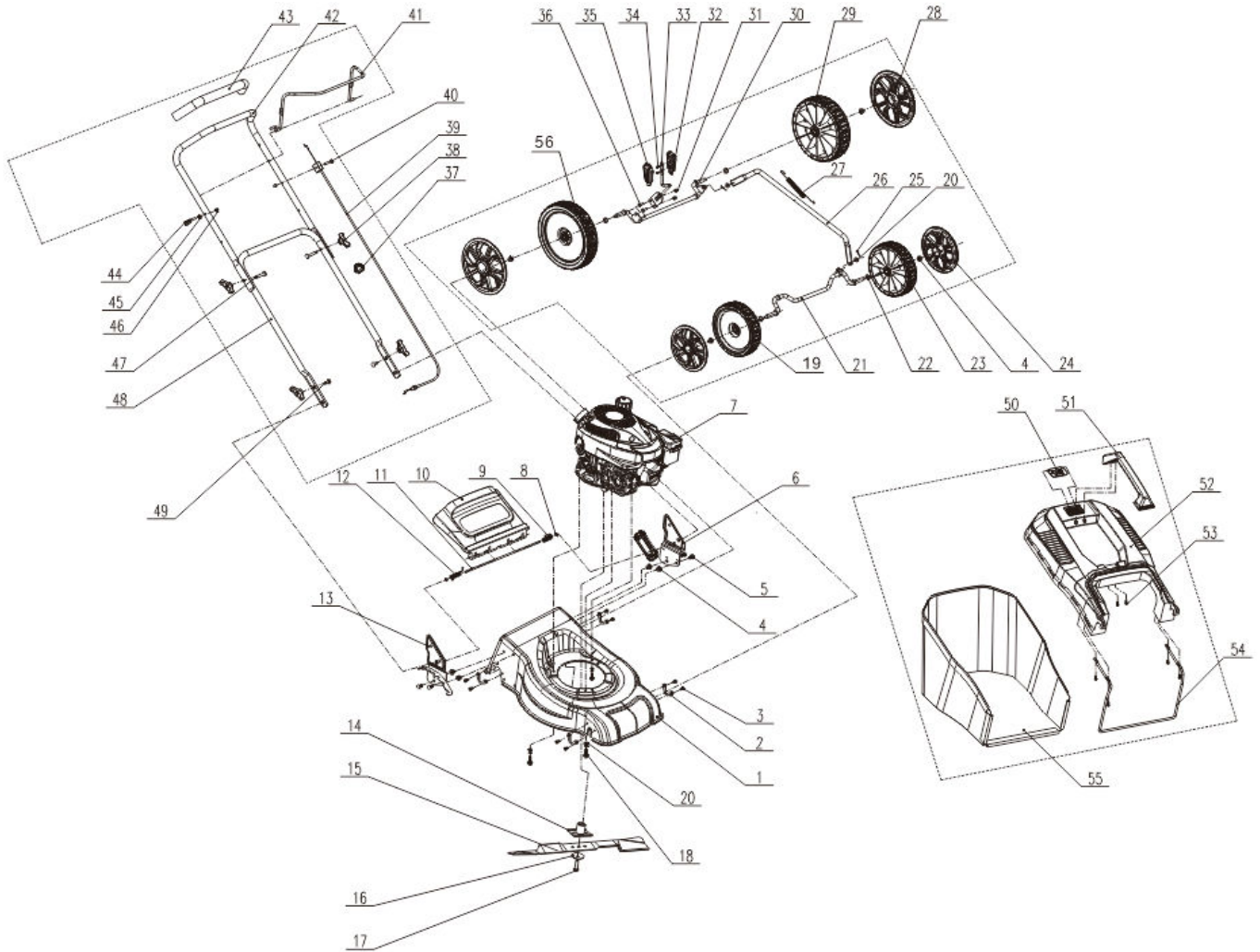
| REF.NO. 序号 | PART NO 物料代码 | DESCRIPTION 英文名 | Q'TY 数量 | 包装数 | 备注 |
|---------------|--------------------|--|---------|-----|----|
| F02-1 | 90001-0616-01A0 | Hexagon Socket Flange Face Bolt - Small Series | 2 | 1 | |
| F02-2 | 18100-Z2P1711-00A0 | Muffler Assy. | 1 | 1 | |
| F02-3 | 18020-Z2P0112-00A0 | Plate, Muffler Insulator | 1 | 1 | |

FIG.14 TANK ASSY, FUEL F03)



| REF.NO. 序号 | PART NO 物料代码 | DESCRIPTION 英文名 | Q'TY 数量 | 包装数 | 备注 |
|---------------|--------------------|--------------------|---------|-----|----|
| F03-1 | 16600-Z2P0210-Q2A0 | Tank Assy, Fuel | 1 | 1 | |
| F03-2 | 90685-1000-01A0 | Pipe Clamp | 1 | 1 | |
| F03-3 | 16730-Z250210-00A0 | Cover, Fuel Tank | 1 | 1 | |
| F03-4 | 16652-Z030110-00A0 | Strainer, Fuel | 1 | 1 | |

FIG.15 FRAME (F04)



| REF.NO. 序号 | PART NO 物料代码 | DESCRIPTION 英文名 | Q'TY 数量 | 包装数 | 备注 |
|---------------|--------------------|---|---------|-----|----|
| F04-1 | 75001-G100110-WK00 | Deck | 1 | 1 | |
| F04-2 | 42005-G020110-00A0 | Rear Axle Plank | 2 | 1 | |
| F04-3 | 90027-0612-56 | Hexagon Head Self-Extrusion Screw | 8 | 1 | |
| F04-4 | 90308-0800-31A0 | Type 2 Non-Metallic Insert Hexagon Lock Nut With Flange | 8 | 1 | |
| F04-5 | 90028-0816-01 | Grade B Small Half Round Head Low Square Neck Bolts | 4 | 1 | |
| F04-6 | 79236HG060110-H7A0 | Left Handle Support | 1 | 1 | |
| F04-7 | RV125MS00G8U-FIA01 | Engine | 1 | 1 | |
| F04-8 | 90575-0500-0601 | Split Washer | 2 | 1 | |
| F04-9 | 79258-G020110-00A0 | Rear Deflector Spring | 1 | 1 | |
| F04-10 | 79257-G020110-WM00 | Rear Deflector | 1 | 1 | |
| F04-11 | 79259-G020110-00A0 | Rear Deflector Plank | 1 | 1 | |

| REF.NO. 序号 | PART NO 物料代码 | DESCRIPTION 英文名 | Q'TY 数量 | 包装数 | 备注 |
|---------------|--------------------|---|---------|-----|----|
| F04-12 | 79258-G020210-00A0 | Rear Deflector Spring | 1 | 1 | |
| F04-13 | 79237HG060110-H7A0 | Right Handle Support | 1 | 1 | |
| F04-14 | 73002-G100110-00A0 | Blade Adapter | 1 | 1 | |
| F04-15 | 73101-G060110-00A0 | Blade | 1 | 1 | |
| F04-16 | 90419-G030110-0000 | Disc Washer | 1 | 1 | |
| F04-17 | 90007-Z2P0310-00A0 | Hexagon Socket Flange Face Bolt - Big Series - Grade B | 1 | 1 | |
| F04-18 | 90039-0825-0101 | Bolt | 3 | 1 | |
| F04-19 | 40206-G420510-Q2A0 | Push Wheel | 1 | 1 | |
| F04-20 | 90408-0800-E108 | Flat Washer - Grade A | 2 | 1 | |
| F04-21 | 44020HG020110-0000 | Shaft, Front Wheel | 1 | 1 | |
| F04-22 | 90405-G130110-0000 | Wave Elastic Washer | 4 | 1 | |
| F04-23 | 40206-G420610-Q2A0 | Push Wheel | 1 | 1 | |
| F04-24 | 40207-G420310-WM00 | Wheel Cover | 2 | 1 | |
| F04-25 | 90501-0220-0108 | Cotter Pin | 2 | 1 | |
| F04-26 | 79262-G020110-H7A0 | Cutting Height Lever | 1 | 1 | |
| F04-27 | 79263-G030111-00A0 | Cutting Height Spring | 1 | 1 | |
| F04-28 | 40207-G420210-WM00 | Wheel Cover | 2 | 1 | |
| F04-29 | 40206-G420410-Q2A0 | Push Wheel | 1 | 1 | |
| F04-30 | 42002HG020110-0000 | Shaft, Rear Wheel | 1 | 1 | |
| F04-31 | 90308-0600-31 | Type 2 Non-Metallic Insert Hexagon Lock Nut With Flange | 2 | 1 | |
| F04-32 | 79261-G030210-Q2A0 | Cutting Height Lever Sleeve | 1 | 1 | |
| F04-33 | 79275HG020110-00A0 | Cutting Height Lever | 1 | 1 | |
| F04-34 | 90107-4295-01A0 | Cross-Recessed Pan Head Self-Tapping Screw | 2 | 1 | |
| F04-35 | 79261-G030110-Q2A0 | Cutting Height Lever Sleeve | 1 | 1 | |
| F04-36 | 90005-0616-01A0 | Hexagonal Head Bolt - Full Thread | 2 | 1 | |
| F04-37 | 90684-U070111-0000 | Wire Clip | 1 | 1 | |
| F04-38 | 79226-G080110-Q2A0 | Fast Screw | 4 | 1 | |
| F04-39 | 79213-G100110-00A0 | Flame-Out Cable | 1 | 1 | |
| F04-40 | 90211-G080110-00A0 | Cross Recessed Shaped Bolts | 1 | 1 | |
| F04-41 | 79224-G160210-H700 | Brake Lever | 1 | 1 | |
| F04-42 | 79223-G080110-H7A0 | Upper Handle | 1 | 1 | |
| F04-43 | 54101-G030110-Q2B0 | Sleeve, Handle Rubber | 1 | 1 | |
| F04-44 | 79278-G080110-00A0 | Bent Rope Bolt | 1 | 1 | |
| F04-45 | 90305-0600-3108 | Hexagon Nut With Flange | 1 | 1 | |
| F04-46 | 90314-0600-31 | Acorn Hexagon Nuts | 2 | 1 | |
| F04-47 | 90031-G080110-0000 | Special-Shaped Bolts | 2 | 1 | |
| F04-48 | 79231-G100110-H7A0 | Inferior Handle | 1 | 1 | |
| F04-49 | 90029-G080210-00A0 | Half Round Head Square Neck Bolt | 2 | 1 | |
| F04-50 | 79254-G030110-Q2A0 | Straw Box Indicating Door | 1 | 1 | |
| F04-51 | 79253-G020110-Q2A0 | Straw Box Handle | 1 | 1 | |
| F04-52 | 79252-G020110-WM00 | Straw Box Upper Cover | 1 | 1 | |
| F04-53 | 90120-5016-03 | Hybrid Cross Recessed Pan Head Tapping Screws | 6 | 1 | |
| F04-54 | 79255-G020110-H6A0 | Straw Box Support | 1 | 1 | |
| F04-55 | 79256-G020110-00AC | Straw Box Lower Bag | 1 | 1 | |
| F04-56 | 40206-G420310-Q2A0 | Push Wheel | 1 | 1 | |